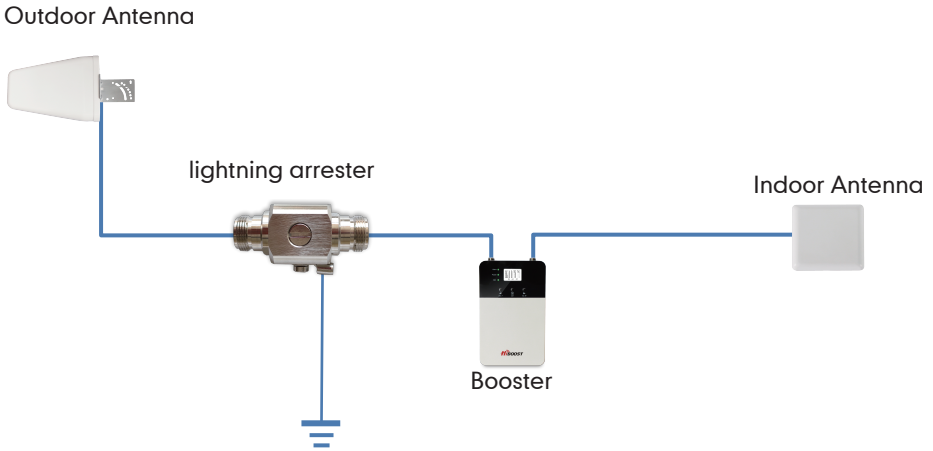


User Manual

lightning arrester



1. To use a lightning arrester, you need an additional cable (nm / nm) and a copper wire in addition to a lightning arrester
2. The arrester is used between the outdoor antenna and the booster, usually near the booster end;
3. The arrester is installed outdoors and cannot be close to buildings, especially metal objects;
4. The grounding wire of arrester shall be copper wire with diameter not less than 2.5mm;
5. Grounding copper wire should be connected to underground, not to metal water pipes and other outdoor equipment;